

ELECTRIC OUTBOARD VOLT POLSKA

TURBO-T 120 DUO 12/24V

INDEKS: 3ZSIL912LB
EAN: 5904100452934

The outboard electric motor **TURBOT - T 120 DUO 12/24V** is designed to power boats and operate in shallow water. Due to the column strengthened by composite material, the device is resistant to impact and deformation. The handle provides smooth speed and direction control (forward/reverse). The Turbo-T 120 DUO 12/24 electric motor is powered by 12VDC or 24VDC from a connected AGM or gel battery. Low weight, easy assembly and quiet operation of the device. All essential engine parts are contained in a compact unit.

Main features:

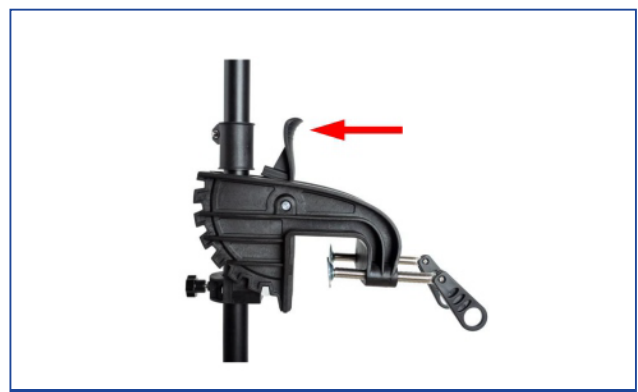
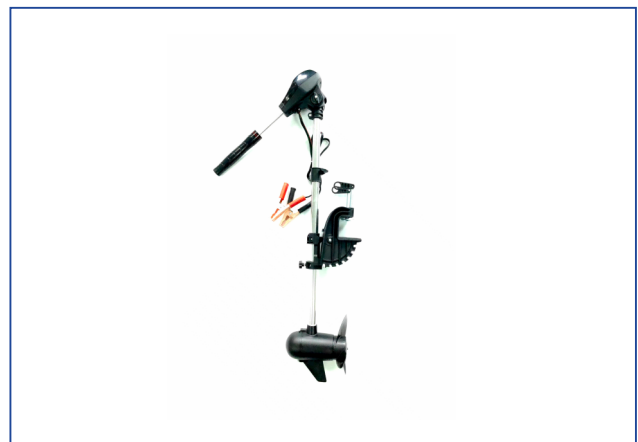
Extendable handle feat. forward/reverse option/speed control
Smooth speed and direction control
3-blade screw
LED display showing the voltage of battery (W)
Powered by AGM/GEL battery
Column strengthened by composite material
Quick and light installation
Quiet work

Usage of product:

Motor boats
Fishing boats
Sailing boats

Technical data:

Power	690 / 980 W \pm 3%
Power voltage	12VDC/24VDC
Max current	65A \pm 3%
Weight	7kg \pm 3%
Dimension/Weight single package	117x37x17cm/9kg



Lever for adjusting the engine angle



1. Engine control head
2. Battery voltage display
3. Extendable handle feat. forward/reverse option/speed control
4. Lever for adjusting the engine angle
5. Motor
6. 3-blade screw
7. Adjustable engine height tube



AGM Battery