

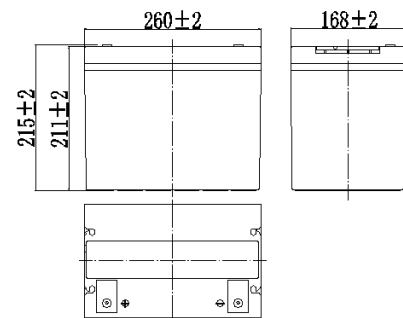
MAINTENANCE-FREE BATTERY GEL VRLA VPRO PREMIUM 80Ah 12V

INDEKS: 6AKUGEL080
EAN: 5904100452392

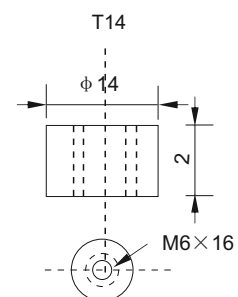
GEL VPRO PREMIUM batteries by **VOLT POLSKA** are designed with special separator and GEL deep cycle technology to give extra-durable cyclic performance at extreme temperature. **The general features are:** safety sealing, long life and low self-discharge design, non-spillable construction, high reliability and stability, sealed and maintenance-free, safety and quality certification. **GEL VPRO PREMIUM batteries** have 12 years design life at 25°C. They can be applied in emergency power system, communication equipment, telecommunication systems, marine equipment, uninterruptible power supplies, solar and wind power system.

Main technical data:

Nominal voltage	12V
Nominal capacity	80Ah
Total height	215±2mm
Height	211±2mm
Width	168±2mm
Length	260±2mm
Weight	24,2kg±3%
Gross dimensions	273x178x263mm
Gross wight	24,7kg
Multipack dimensions	273x178x263mm
Multipack weight	24,7kg
Capacity (at 25°C) 10h (10,8V)	80Ah
Capacity (at 25°C) 3h (10,8V)	55,5Ah
Capacity (at 25°C) 1h (10,5V)	41Ah
Innternal Resistance (25°C)	6mΩ
Capacity (40°C)	102%
Capacity (25°C)	100%
Capacity (0°C)	85%
Capacity (-15°C)	65%
Self discharge (25°C) 3months	91%
Self discharge (25°C) 6months	82%
Self discharge (25°C) 12months	64%
Working temperature	25°C±3°C
Working temperature - discharge	(-15 to 50)°C
Working temperature - charge	(-10 to 50)°C
Working temperature - storage	(-20 to 50)°C
Float charging voltage(25°C)	13,5VDC-13,8VDC
Cyclic charging voltage(25°C)	14,4VDC-14,7VDC
Max charge current	15A
Max discharge current	700A (for 5 seconds)
Design life (25°C)	12years



Dimension



Terminal Type (mm)