

MAINTENANCE-FREE BATTERY GEL VRLA VPRO PREMIUM 140Ah 12V

INDEKS: 6AKUGEL140
EAN: 5904100450442

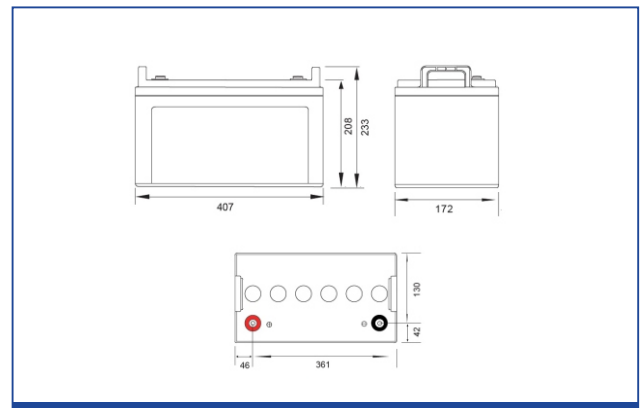
GEL VPRO PREMIUM batteries by **VOLT POLSKA** are designed with special separator and GEL deep cycle technology to give extra-durable cyclic performance at extreme temperature. **The general features are:** safety sealing, long life and low self-discharge design, non-spillable construction, high reliability and stability, sealed and maintenance-free, safety and quality certification. **GEL VPRO PREMIUM batteries** have 12 years design life at 25°C. They can be applied in emergency power system, communication equipment, telecommunication systems, marine equipment, uninterruptible power supplies, solar and wind power system.

Main technical data:

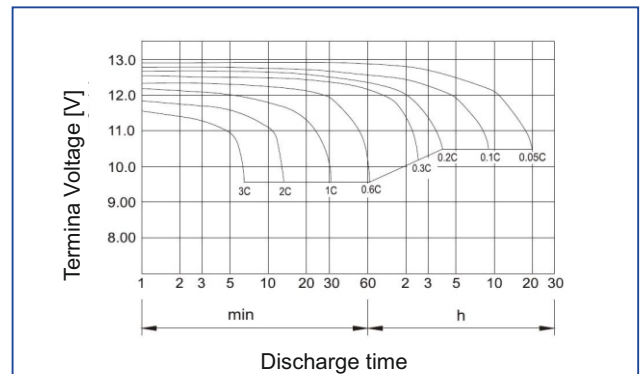
| | | |
|------------------|--------------|------------------------|
| Nominal voltage | | 12 V |
| Rated capacity | | 140 Ah |
| Dimension | total height | 233 mm |
| | height | 233 mm |
| | width | 172 mm |
| | length | 407 mm |
| Approx Weight | | 33.5kg (73.85lbs) ± 3% |
| Gross dimensions | | 41,5x18x26,6cm |
| Gross weight | | 34kg |

Other specification:

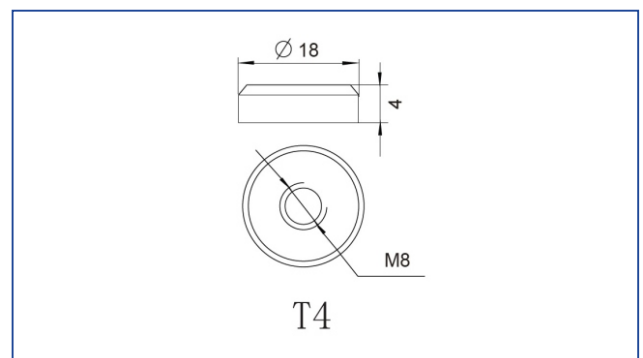
| | | |
|--|-------------|--------------------|
| Capacity (at 25°C) | 20h (10,5V) | 140 Ah |
| | 10h (10,5V) | 126 Ah |
| | 3h (10,2V) | 90 Ah |
| | 1h (9,6V) | 72 Ah |
| Internal Resistance | | ~ 3,9 mΩ |
| Capacity affected by temperature | 40°C | 102% |
| | 25°C | 100% |
| | 0°C | 85% |
| | -15°C | 65% |
| Self discharge (at 25°C) | 3 months | 91% |
| | 6 months | 82% |
| | 12 months | 64% |
| Working temperature | | 25°C +- 3°C |
| Working temperature | Discharge | -15°C do 50°C |
| | Charge | -10°C do 50°C |
| | Storage | -20°C do 50°C |
| Float Use (25°C) | 13,5 VDC | 13,8 VDC |
| Cycle Use (25°C) | 14,4 VDC | 14,7 VDC |
| Max charging current | | 35 A |
| Max discharge current | | 1200 A (przez 5 s) |
| Design life (25°C) | | 12 years |



Dimension



Discharge characteristic curve at 25°C



Terminal type (mm):